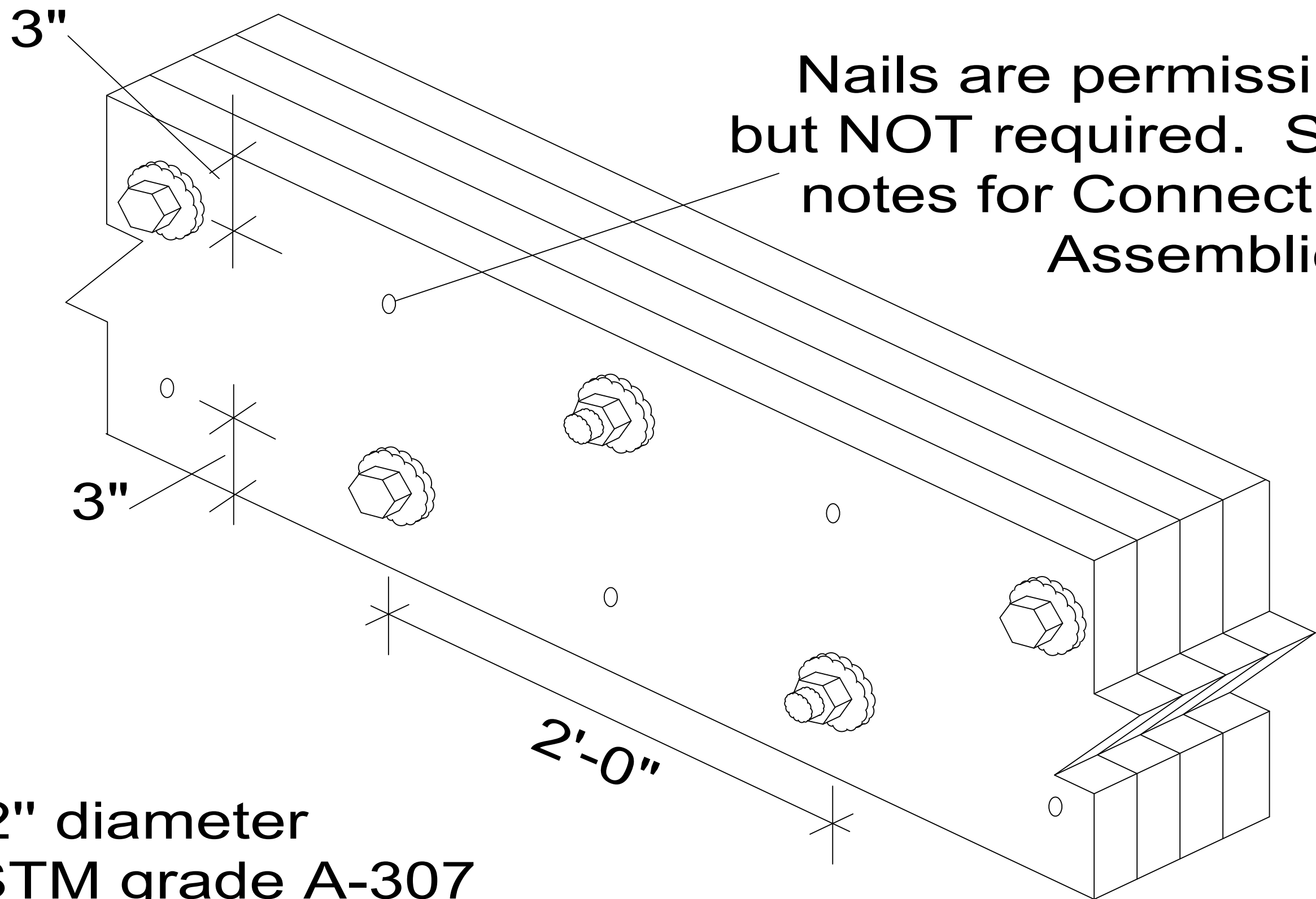


P2

TOP LOADED BEAM- BOLTED CONNECTION

(See Connection Assemblies for more details)

Framing is applied to top of the beam so
that each ply carries an equal load



Nails are permissible
but NOT required. See
notes for Connection
Assemblies.

1/2" diameter
ASTM grade A-307
(or better) bolts.
Use washers on both faces.