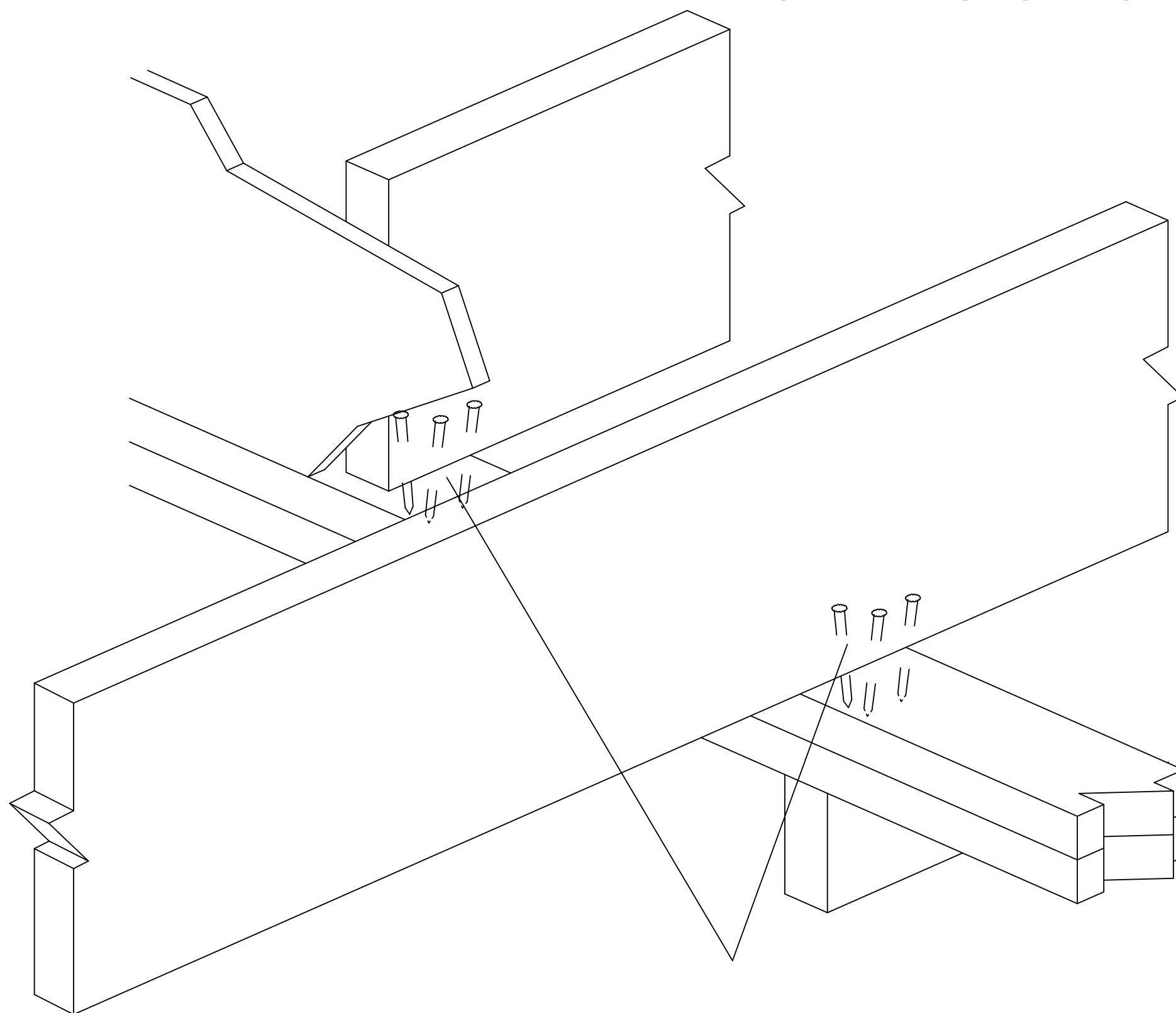


A5I

JOIST SUPPORT NAILING

Secure Joist to plate with three (3) 8d or 10d box nails. Toe nail two nails from on one side the third from the other side.



Place nail 1-1/2" min. from end of Joist.
If nails are close to edge of plate, drive
at an angle to reduce splitting.